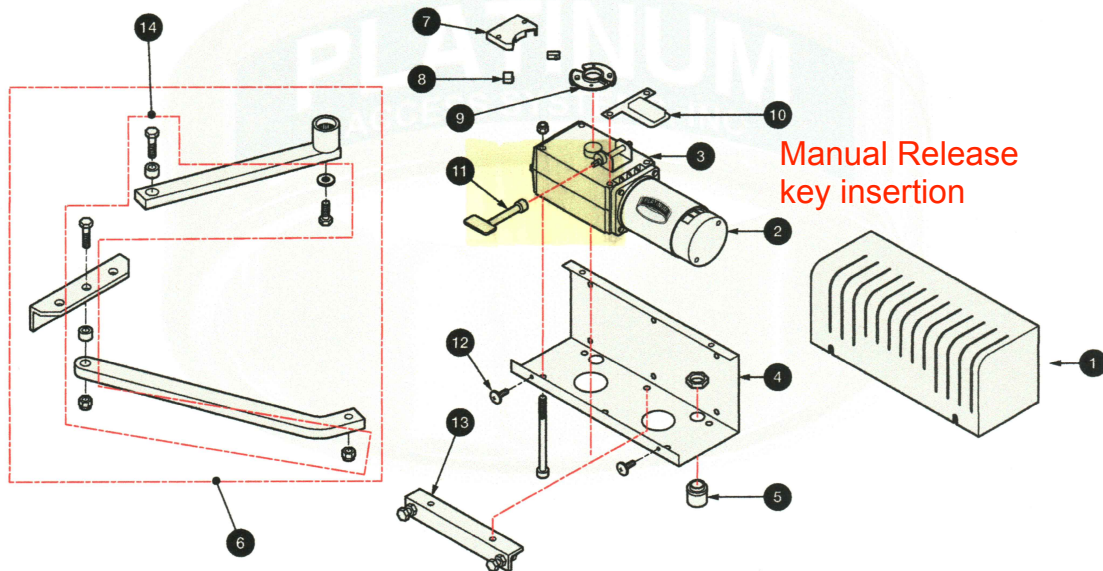


Column Mount Operator



- | | | | |
|---|---|----|---------------------------|
| 1 | Cover, Plastic | 8 | Limit Switch (2) |
| 2 | Motor | 9 | Limit Cam |
| 3 | Gearbox | 10 | Terminal Block and Holder |
| 4 | Chassis | 11 | Key Release |
| 5 | Strain Relief | 12 | Cover Screw |
| 6 | Arm Assembly, Articulated with Hardware | 13 | Positive Stop Extension |
| 7 | Limit Holder | 14 | Hardware Only |